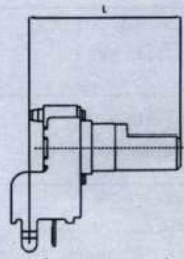
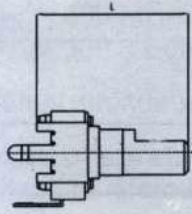
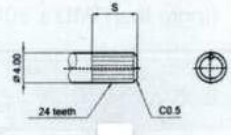
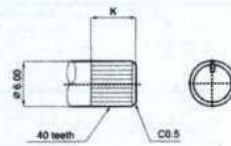
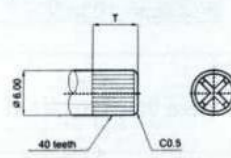
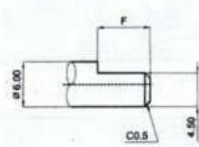


TYPE OF SHAFT

<p>HORIZONTAL</p>  <p>VERTICAL</p> 	<p>S TYPE :</p>  <p>MODEL ER 902N / ER 903N</p> <table border="1"> <tr><th>X</th><th>E</th><th>A</th><th>B</th><th>C</th><th>D</th></tr> <tr><td>L</td><td>15</td><td>20</td><td>25</td><td>30</td><td>35</td></tr> <tr><td>S</td><td>7</td><td>7</td><td>7</td><td>7</td><td>7</td></tr> </table>	X	E	A	B	C	D	L	15	20	25	30	35	S	7	7	7	7	7
	X	E	A	B	C	D													
	L	15	20	25	30	35													
	S	7	7	7	7	7													
<p>K TYPE :</p>  <p>MODEL ER 902N / ER 903N ER902G/ER903G</p> <table border="1"> <tr><th>X</th><th>0</th><th>1</th><th>2</th><th>3</th><th>4</th></tr> <tr><td>L</td><td>15</td><td>20</td><td>25</td><td>30</td><td>35</td></tr> <tr><td>K</td><td>6</td><td>7</td><td>7</td><td>7</td><td>7</td></tr> </table>	X	0	1	2	3	4	L	15	20	25	30	35	K	6	7	7	7	7	
X	0	1	2	3	4														
L	15	20	25	30	35														
K	6	7	7	7	7														
<p>T TYPE :</p>  <p>MODEL ER 902N / ER 903N</p> <table border="1"> <tr><th>X</th><th>F</th><th>G</th><th>H</th><th></th><th></th></tr> <tr><td>L</td><td>9.5</td><td>15</td><td>20</td><td></td><td></td></tr> <tr><td>T</td><td>-</td><td>6</td><td>7</td><td></td><td></td></tr> </table>	X	F	G	H			L	9.5	15	20			T	-	6	7			
X	F	G	H																
L	9.5	15	20																
T	-	6	7																
<p>F TYPE :</p>  <p>MODEL ER 902N / ER 903N ER902G/ER903G</p> <table border="1"> <tr><th>X</th><th>P</th><th>Q</th><th>R</th><th>S</th><th></th></tr> <tr><td>L</td><td>15</td><td>20</td><td>25</td><td>30</td><td></td></tr> <tr><td>F</td><td>6</td><td>7</td><td>12</td><td>12</td><td></td></tr> </table>	X	P	Q	R	S		L	15	20	25	30		F	6	7	12	12		
X	P	Q	R	S															
L	15	20	25	30															
F	6	7	12	12															

Copyright Elcon [India]. Unauthorised use and distribution of this document is strictly forbidden.

<p>PREPARED BY</p> <p><i>MAHESH</i></p>		<p>REVIEWED BY</p> <p><i>A.S. BISHI</i></p>		<p>SHAFT STYLE FOR MODEL NO:-</p> <p>ER0902N1□A□-</p> <p style="text-align: center;">X Z</p> <p>ER0903N1□A1-</p> <p style="text-align: center;">X</p>	
<p>TOLERANCE</p> <p>UP TO 10 :±0.3</p> <p>OVER 10 TO 100 :±0.5</p> <p>OVER 100 :+1</p>		<p>DATE</p> <p><i>03.06.11</i></p>		<p>UNIT</p> <p>MM</p>	<p>SCALE</p> <p>N.T.S.</p>