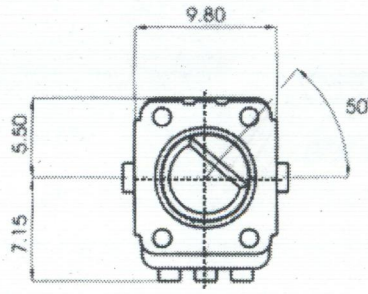
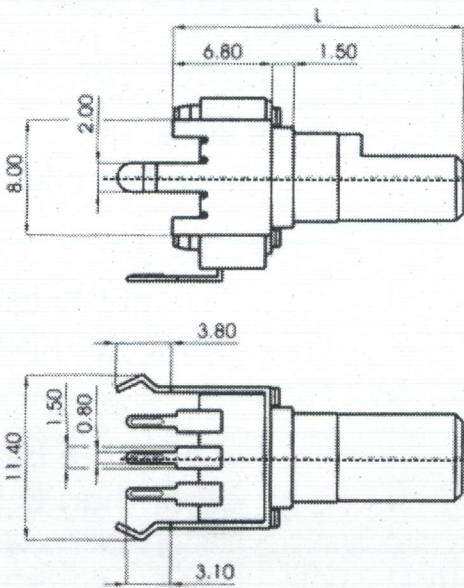
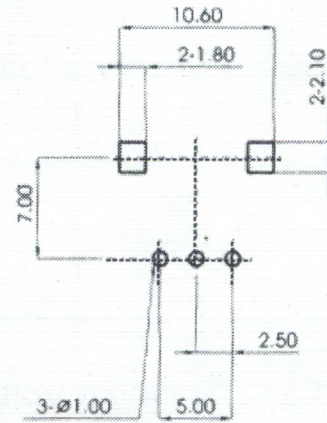


SHEET 1/1

Elcon



shaft shown in full
C.C.W. position



Copyright Elcon [India]. Unauthorised use and distribution of this document is strictly forbidden.

PART NAME:- ER0903N1□A1-
X

PREPARED BY

MAHESH

REVIEWED BY

A.S. BISHI

TOLERANCE

UP TO 10 ± 0.3
OVER 10 TO 100 ± 0.5
OVER 100 ± 1

DATE

02.06.11

UNIT SCALE

MM N.T.S.

