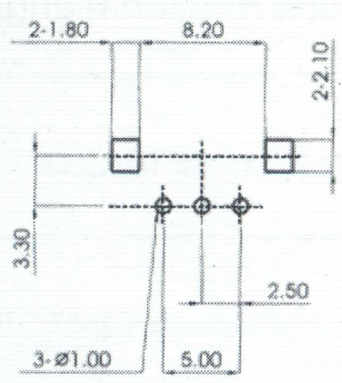
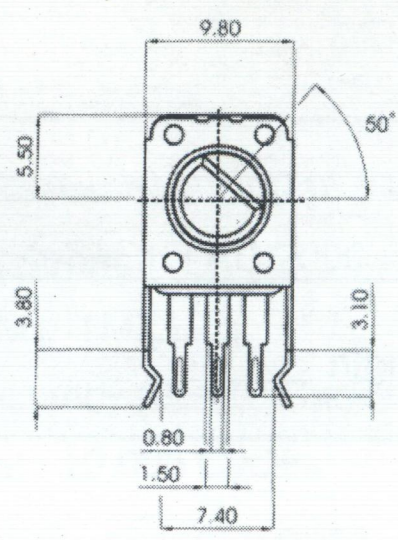
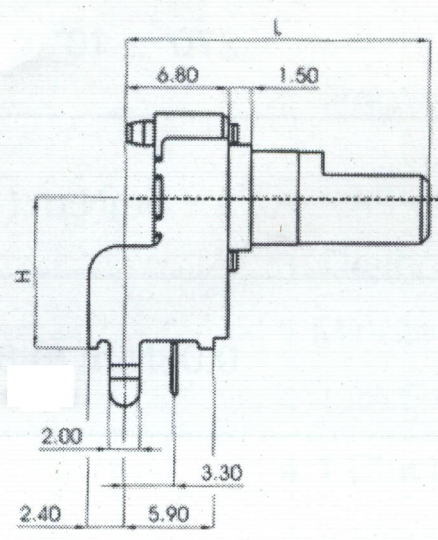


Copyright Elcon [India]. Unauthorised use and distribution of this document is strictly forbidden.



shaft shown in full
 C.C.W. position

Z	1	2	3
H	6.5	10	12.5

PART NAME:- ER0902N1□A□-
 X Z

PREPARED BY
MAHESH

REVIEWED BY
A.S. BISHI

TOLERANCE

UP TO 10	±0.3
OVER 10 TO 100	±0.5
OVER 100	±1

DATE

01.06.11

UNIT	SCALE
MM	N.T.S.

